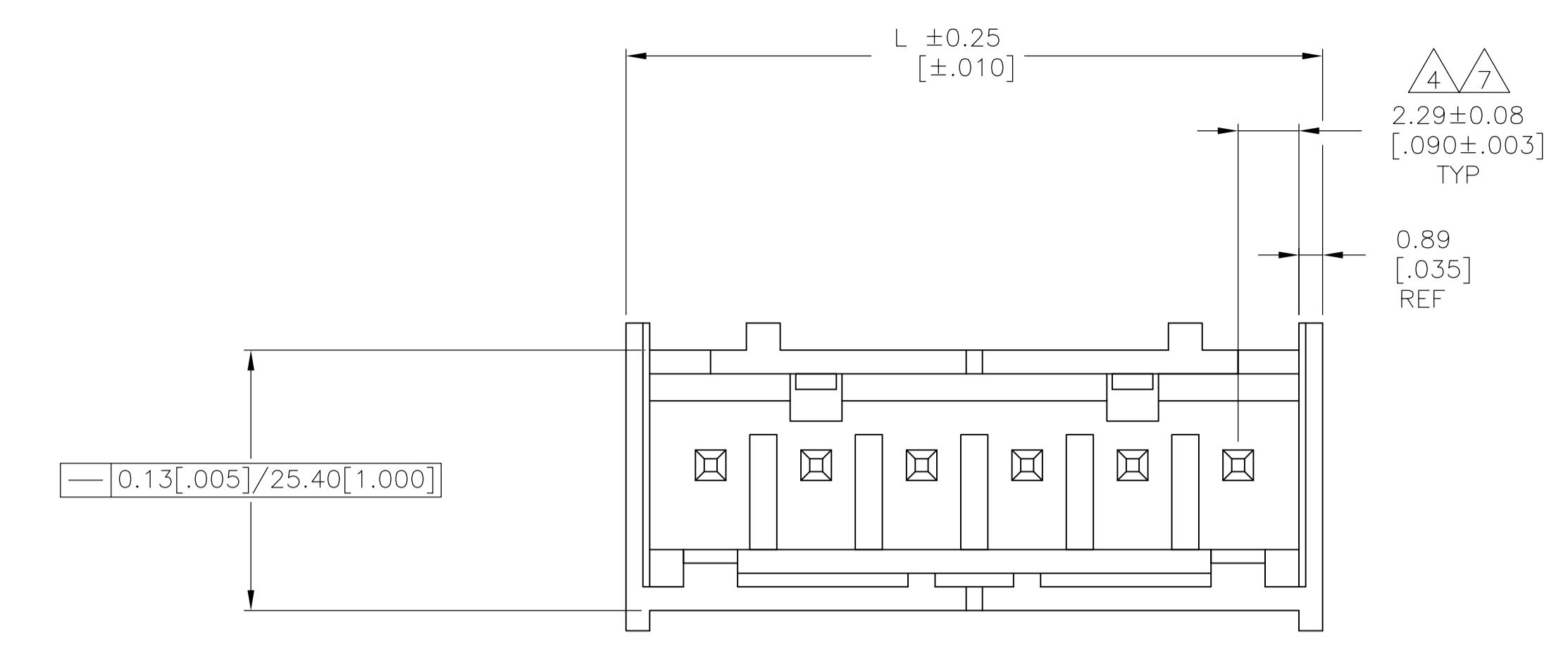


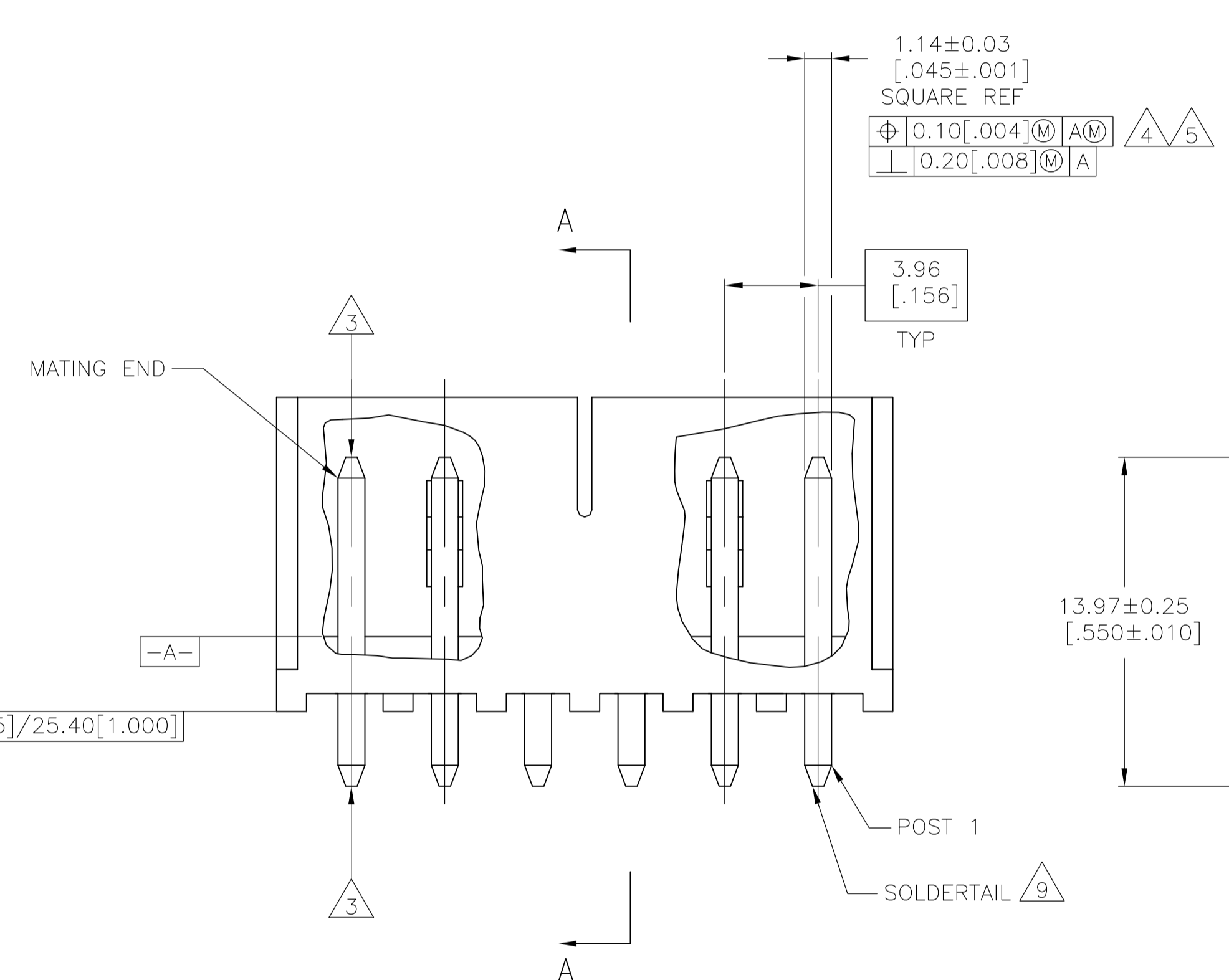
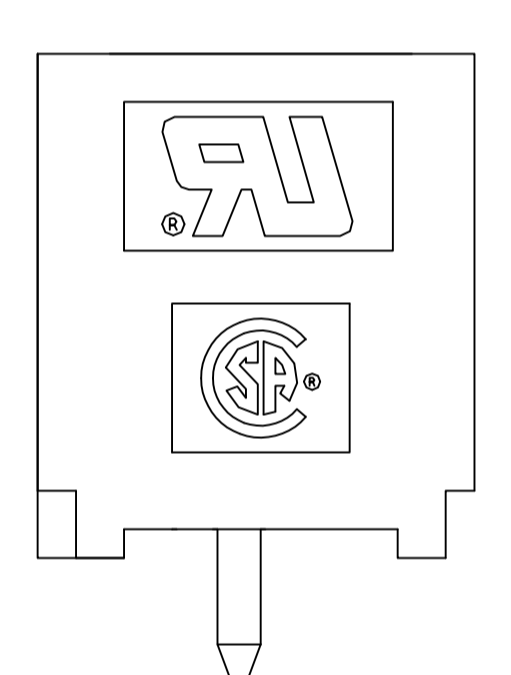
LOC		DIST		REVISIONS			
CM	0	REV	DATE	BY	CHKD	APPROV	
G1	REVISED PER ECR-15-007038		28SEP2015	NK		PQ	



2.29±0.08
[.090±.003]
TYP

0.89
[.035]
REF

0.13[.005]/25.40[1.000]



1.14±0.03
[.045±.001]
SQUARE REF

0.10[.004] M A

0.20[.008] M A

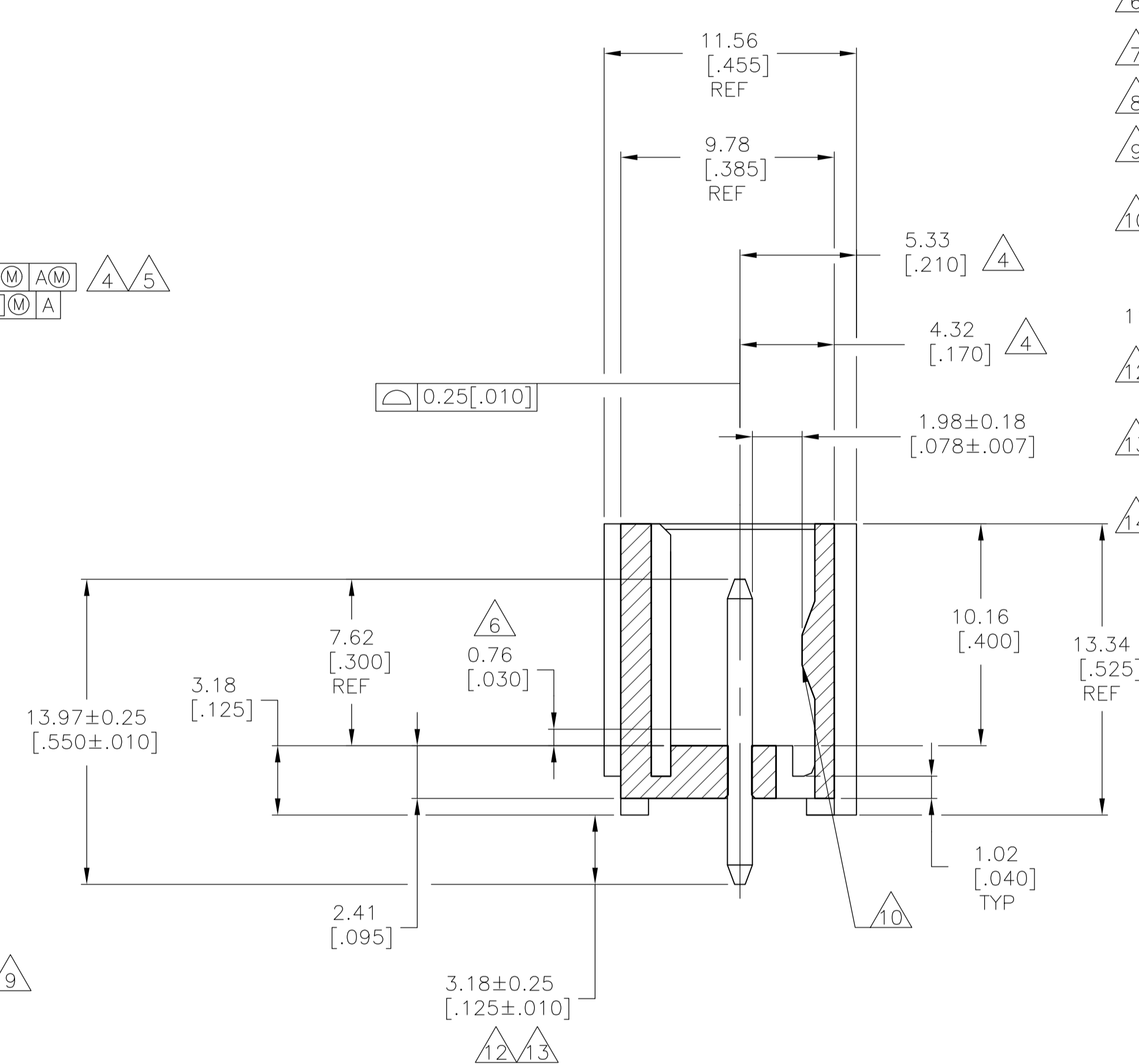
MATING END

3.96
[.156]
TYP

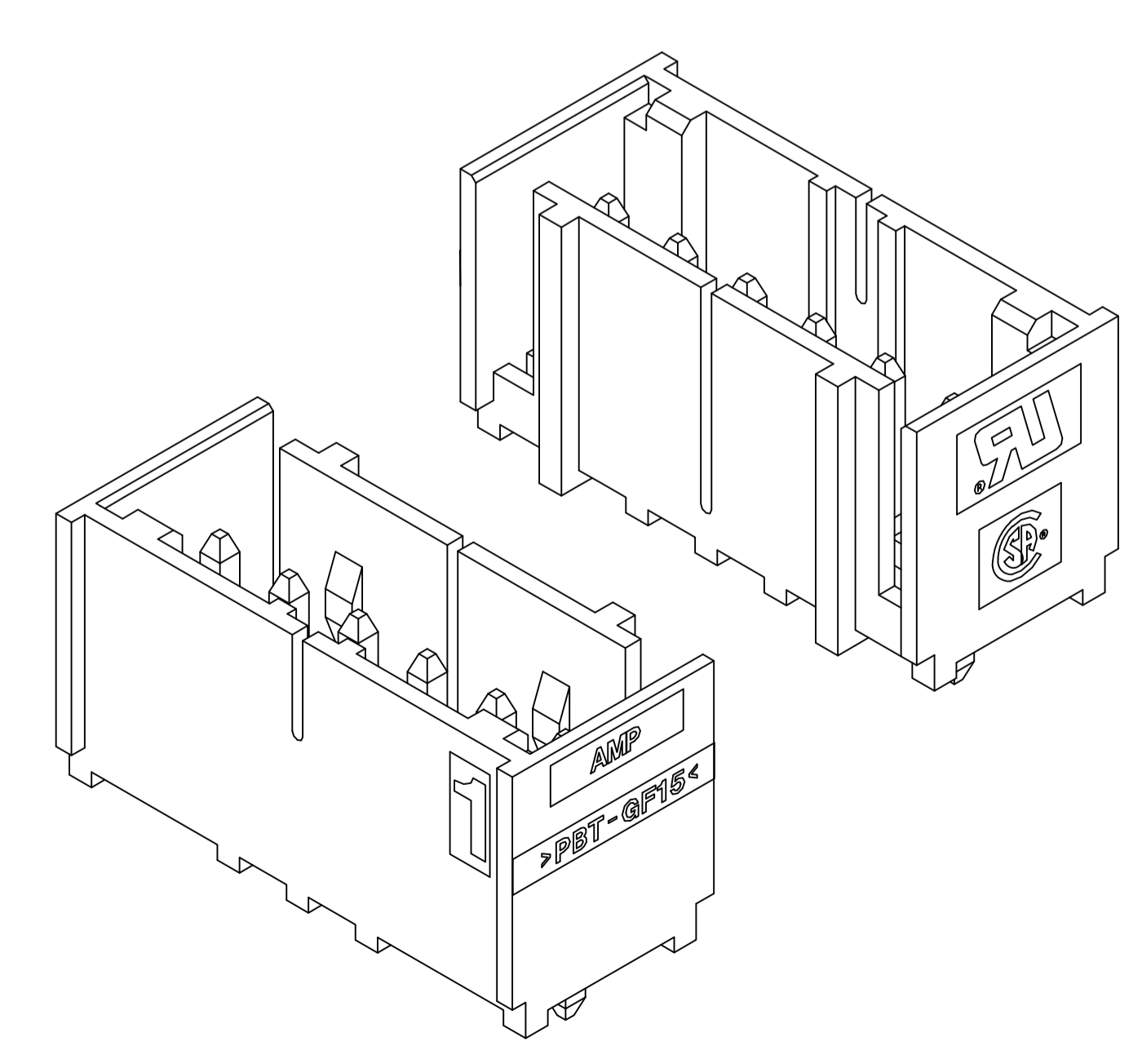
0.13[.005]/25.40[1.000]

POST 1

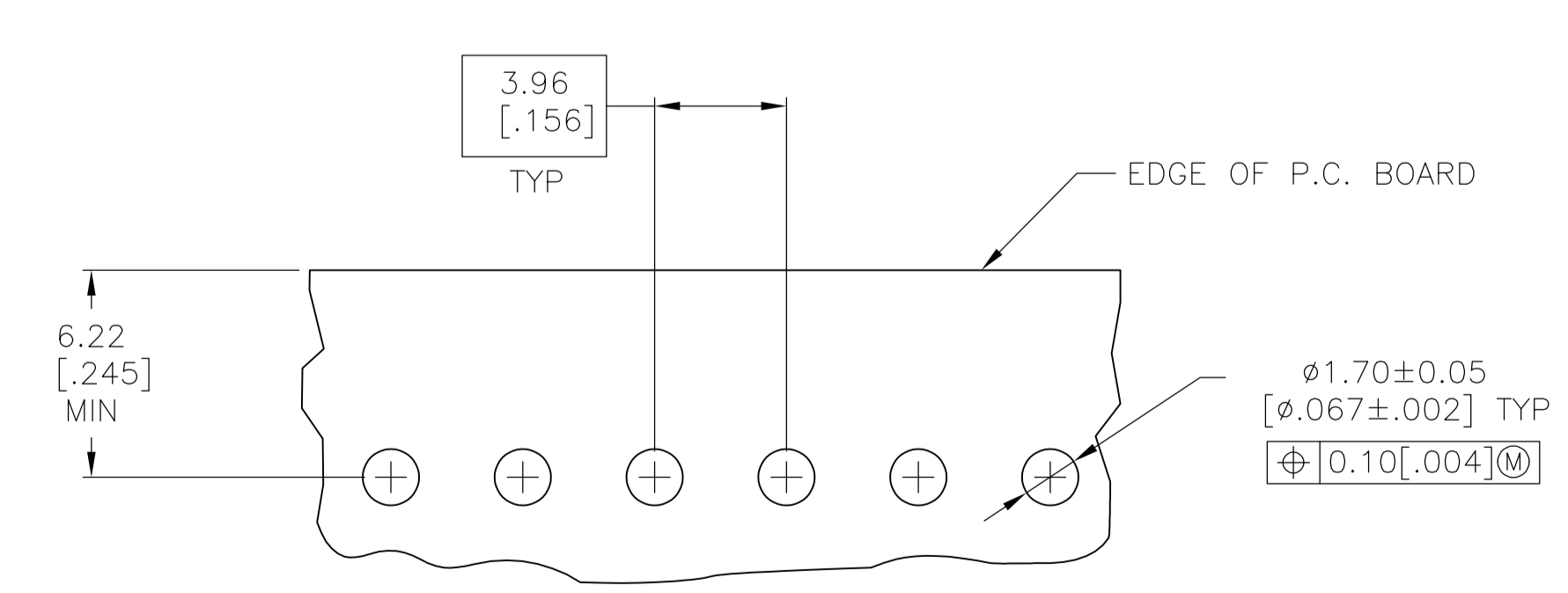
SOLDERTAIL



SECTION A-A



3-DIMENSIONAL MODEL NTS



RECOMMENDED MOUNTING HOLE PATTERN FOR 1.57[.062] THICK P.C. BOARD

- MATERIAL:
HOUSING - THERMOPLASTIC POLYESTER, GLASS FILLED, UL94-0.
POST - COPPER ALLOY
- FINISH:
HOUSING - BLACK
POST - SEE NOTES 12 AND 13.
- POST TO WITHSTAND 3LBS (16N) MIN AXIAL FORCE IN THIS DIRECTION WITHOUT DISLODGING.
- APPLIES AT -A-.
- APPLIES WHEN HEADER IS STRAIGHT.
- PLASTIC PROJECTIONS PERMITTED IN THIS ZONE.
- COORDINATE DIMENSIONS APPLIES FROM CENTER OF ACTUAL FEATURE.
- SOLDER SIDE OF BOARD IS SHOWN.
- POST SOLDER TAIL MUST COMPLY WITH AMP SOLDERABILITY SPEC 109-11-2.
- LATCH DETENT FEATURE APPEARS 1 PLACE ON EACH END OF PART (MAX OF 2 PER PART) ON ALL POSITIONS 4 THRU 12. THE LATCH APPEARS ONLY ONE PLACE ON 2 & 3 POSITION PARTS.
- DIMENSIONS IN BRACKETS ARE IN INCHES.
- MATTE TIN PLATE 0.00381 - 0.00889 [.000150 - .000350] THICK, OVER NICKEL UNDERPLATE 0.00127 [.000050] MIN THICK.
- MATTE TIN PLATE 0.00381 - 0.00889 [.000150 - .000350] THICK, OVER NICKEL UNDERPLATE 0.00127 [.000050] MIN THICK.
- OBSOLETE PARTS: OBSOLETE CIS STREAMLINING PER D.RENAUD/D.SINISI

REV	DATE	BY	CHKD	APPROV	PART NUMBER
49.94	1.966	12			3-647123-2
45.97	1.810	11			3-647123-1
42.01	1.654	10			3-647123-0
38.05	1.498	9			2-647123-9
34.09	1.342	8			2-647123-8
30.12	1.186	7			2-647123-7
26.16	1.030	6			2-647123-6
22.20	.874	5			2-647123-5
18.24	.718	4			2-647123-4
14.27	.562	3			2-647123-3
10.31	.406	2			2-647123-2
49.94	1.966	12			1-647123-2
45.97	1.810	11			1-647123-1
42.01	1.654	10			1-647123-0
38.05	1.498	9			1-647123-9
34.09	1.342	8			1-647123-8
30.12	1.186	7			1-647123-7
26.16	1.030	6			1-647123-6
22.20	.874	5			1-647123-5
18.24	.718	4			1-647123-4
14.27	.562	3			1-647123-3
10.31	.406	2			1-647123-2

647123-6 SHOWN

OBSOLETE SUPERSEDED

OBSOLETE

OBSOLETE

SUPERSEDED BY 2-647123-8

THIS DRAWING IS A CONTROLLED DOCUMENT.

DIMENSIONS: mm [INCHES]	TOLERANCES UNLESS OTHERWISE SPECIFIED:	DIN S CARPENTER 22JUL03	NAME
0 PLC ± -	1 PLC ± -	CHK D BOSSI 22JUL03	MTA-156 SHROUDED HEADER ASSEMBLY, STRAIGHT .045 SQUARE POST, TIN W/O RETENTION PEG
2 PLC ± -	3 PLC ± -	APPROV D BOSSI 22JUL03	PRODUCT SPEC
4 PLC ± -	ANGLES ± -		APPLICATION SPEC
MATERIAL	FINISH	WEIGHT	SIZE
			CAGE CODE DRAWING NO
			A1 00779
			RESTRICTED TO
			SCALE 5:1 SHEET 1 OF 1 REV G1

CUSTOMER DRAWING